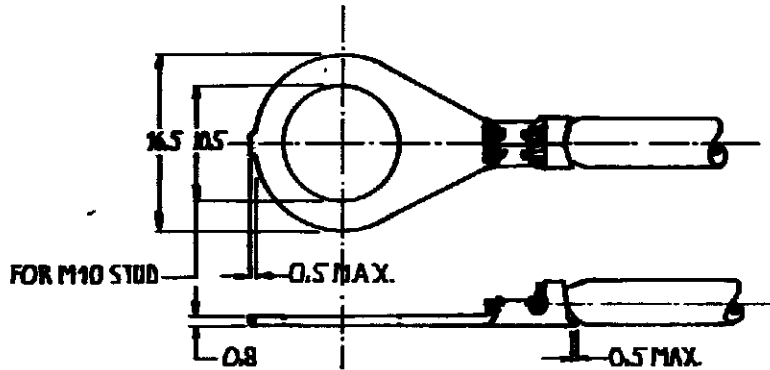
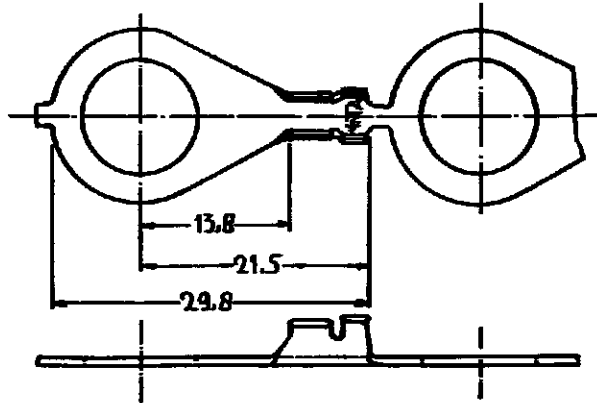


DRAWING MADE IN AMERICAN PROJECTION

NUMBER C-160467-E



FOR USE ON STANDARD AND
MINIATURE APPLICATORS

DIMENSIONS IN M.M. DO NOT SCALE PRINT

CUSTOMER COPY FOR REFERENCE ONLY

©1982 BY AMP-HOLLAND N.V. ALL RIGHTS RESERVED A-MP PRODUCTS COVERED BY PATENTS AND/OR PATENTS PENDING.



AMP-HOLLAND B.V.
's-Hertogenbosch

160467-3	PROSPECTOR BR	—
160467-2	BRASS	TIN PLATED
160467-1	BRASS	—

WIRE-RANGE 1.0-2.5 mm	INSUL-RANGE 2.5-3.8 φ	FIRST USED
--------------------------	--------------------------	------------

ORDER NO.	MATERIAL	PLATING
-----------	----------	---------

SCALE 2:1	SIZE A	NO C-160467-E	REV B
--------------	-----------	------------------	----------

DR 05-08-82	DATE	DE	DATE
CHK 5.8.82	DATE	APP 5.8.82	DATE

NAME RINGTONGUE WITH INS. SUPPORT